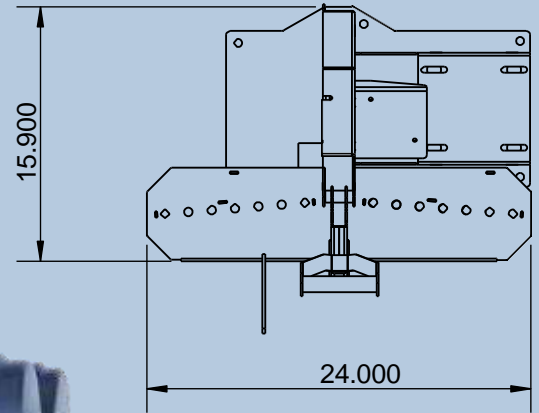


HYDM100

CLEAN-CUTS™

HYDRAULIC HOSE SAW

2" ID x 6 Wire Hydraulic Hose



MODEL	MOTOR	PLUG
HYDM100 220V	5 HP, 220 VAC (1 Phase), 60 Cycle, 21 Amp, 3,490 RPM	L6-30P
HYDM100 220V-3	3 HP, 220 VAC (3 Phase), 60 Cycle, 11* Amp, 3,490 RPM	L15-20P
HYDM100 440V-3	3 HP, 440 VAC (3 Phase), 60 Cycle, 4 Amp, 3,490 RPM	L16-20P



INCLUDES (1) BLADE
10" Advanced Scalloped Blade

SLOTTED
EDGE

NOTCHED
SCALLOPED

ADVANCED
SCALLOPED

SMOOTH
EDGE

MICRO
SLOTTED



Order Now: 1-800-348-8868
Email: Sales@NRPJones.com
Visit: www.NRPJones.com

