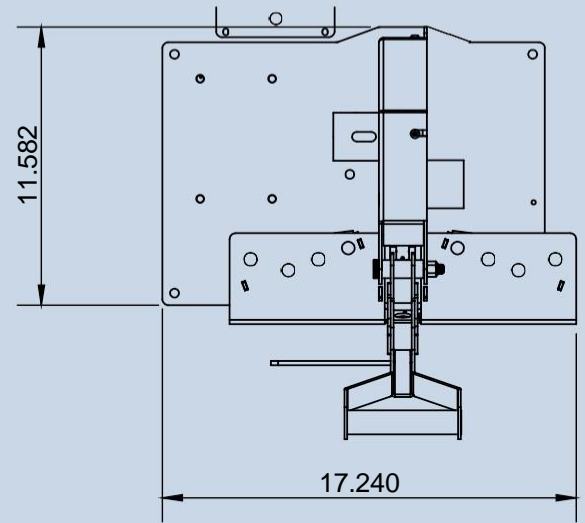


HYDM70

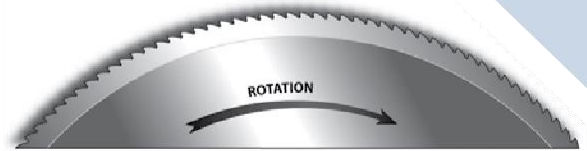
CLEAN-CUTS™

HYDRAULIC HOSE SAW

1-1/4" ID x 4 Wire Hydraulic Hose



MODEL	MOTOR	PLUG
HYDM70 110V	1-1/2 HP, 110 VAC (1 Phase), 60 Cycle, 17** Amp, 3,430 RPM	L5-20P
HYDM70 220V-60	2 HP, 220 VAC (1 Phase), 60 Cycle, 11* Amp, 3,430 RPM	L6-30P



INCLUDES (1) BLADE
7" Advanced Scalloped Blade

SLOTTED
EDGE

NOTCHED
SCALLOPED

ADVANCED
SCALLOPED

SMOOTH
EDGE

MICRO
SLOTTED



Order Now: 1-800-348-8868
Email: Sales@NRPJones.com
Visit: www.NRPJones.com

NRP
JONES