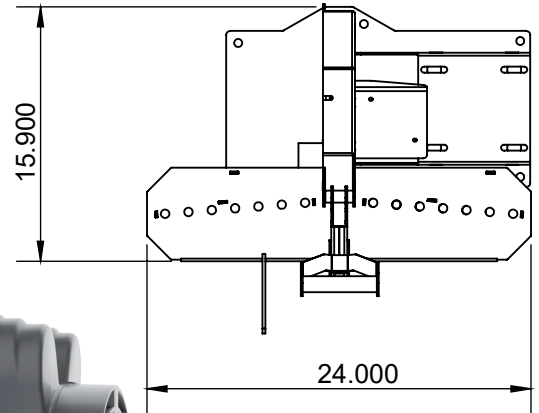
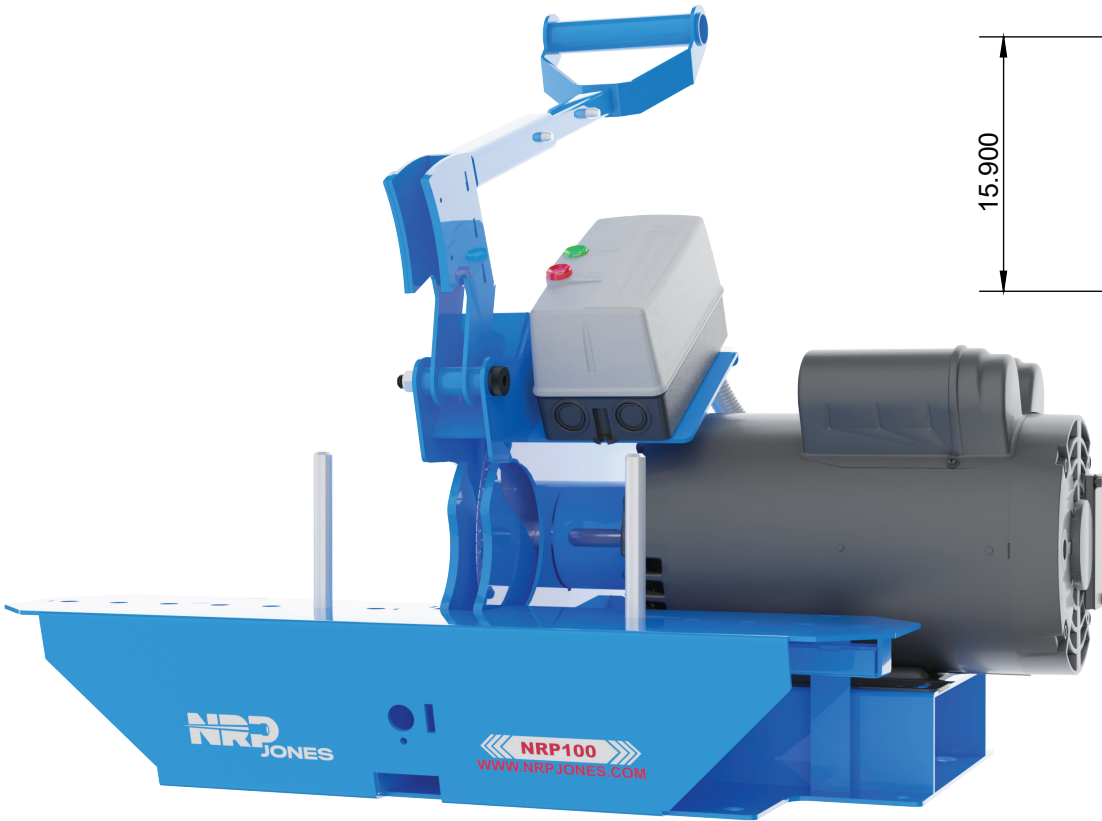


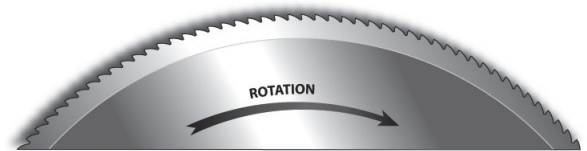
# HYDM100



**CLEAN-CUTS™ HYDRAULIC HOSE SAW**  
**2" ID X 6 WIRE HYDRAULIC HOSE**



MODEL	MOTOR	PLUG
HYDM100 220V	5 HP, 220 VAC (1 Phase), 60 Cycle, 21 Amp, 3,490 RPM	L6-30P
HYDM100 220V-3	3 HP, 220 VAC (3 Phase), 60 Cycle, 11* Amp, 3,490 RPM	L15-20P
HYDM100 440V-3	3 HP, 440 VAC (3 Phase), 60 Cycle, 4 Amp, 3,490 RPM	L16-20P



**Includes (1) Blade**  
**10" OD x .125 THK X 40 mm**

SLOTTED  
EDGE

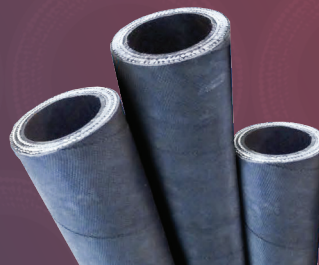
NOTCHED  
SCALLOPED

ADVANCED  
SCALLOPED

SMOOTH  
EDGE

MICRO  
SLOTTED

**ORDER NOW:**  
 1-800-348-8868  
 Sales@NRPJones.com



302 Philadelphia St. La Porte, IN 46350

NRP Jones ISO-9001:2015