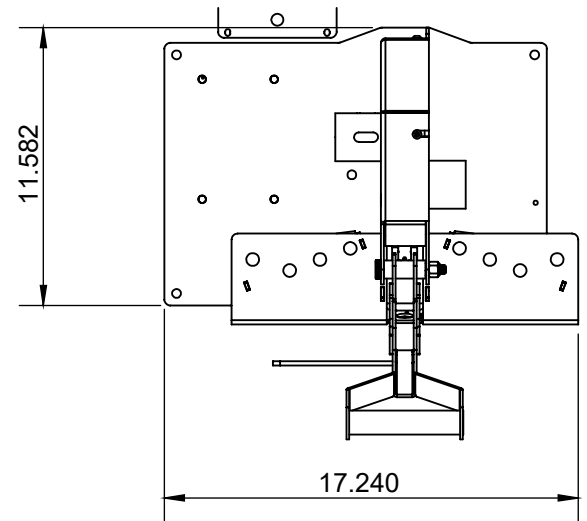
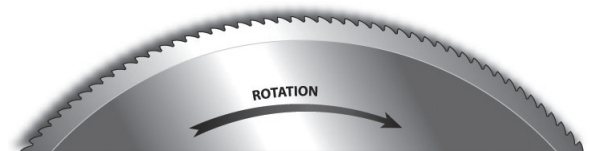


# HYDM70

**CLEAN-CUTS™ HYDRAULIC HOSE SAW**  
 1-1/4" IDX 4 WIRE HYDRAULIC HOSE



MODEL	MOTOR	PLUG
HYDM70 110V	1-1/2 HP, 110 VAC (1 Phase), 60 Cycle, 17** Amp, 3,430 RPM	L5-20P
HYDM70 220V-60	2 HP, 220 VAC (1 Phase), 60 Cycle, 11* Amp, 3,430 RPM	L6-30P



**Includes (1) Blade**  
 7" OD x .093 THK X 3/4" arbor

SLOTTED EDGE

NOTCHED  
SCALLOPED

ADVANCED  
SCALLOPED

SMOOTH  
EDGE

MICRO  
SLOTTED

**ORDER NOW:**  
 1-800-348-8868  
 Sales@NRPJones.com

